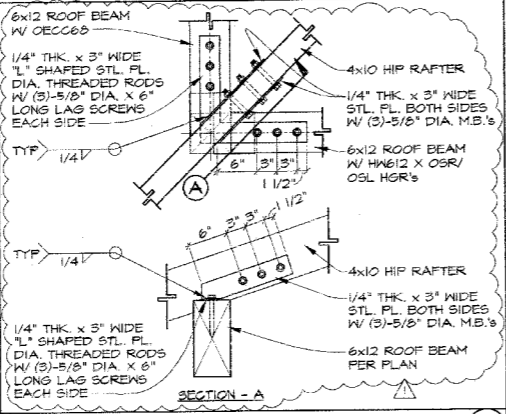
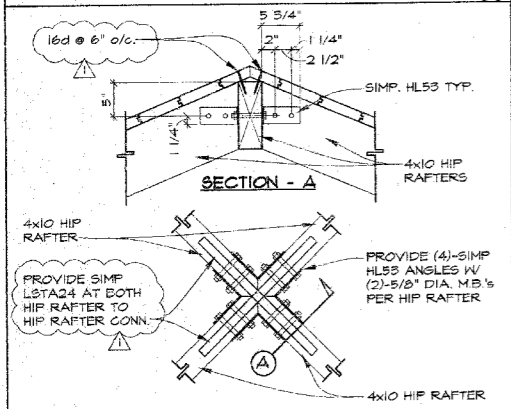


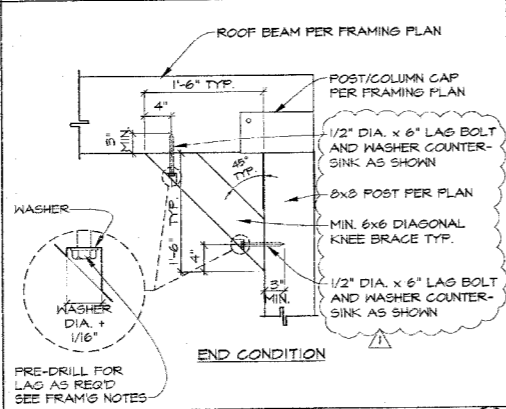
1 TYPICAL ISOLATED PAD FOOTING



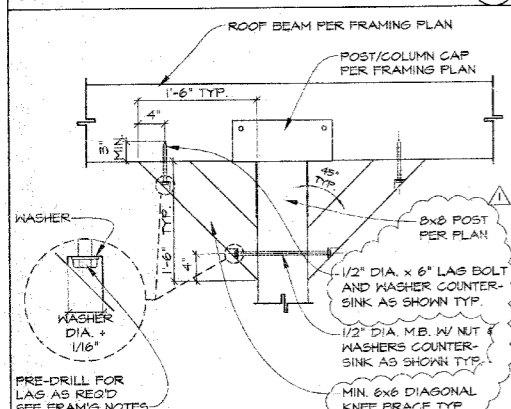
2 POST TO BEAM CONN. @ HIP



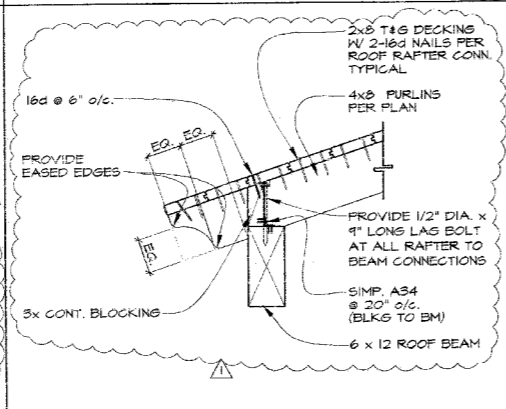
3 HIP RAFTERS CONN. @ HIGH-POINT



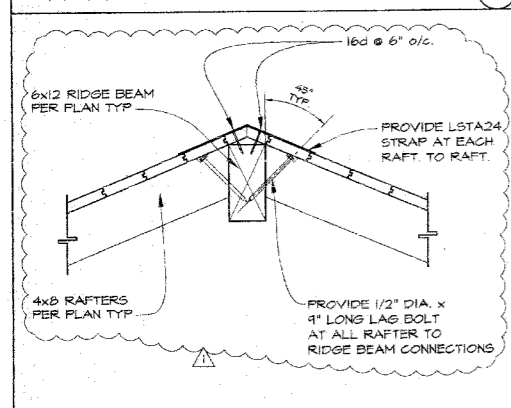
4 KNEE BRACE END CONDITION



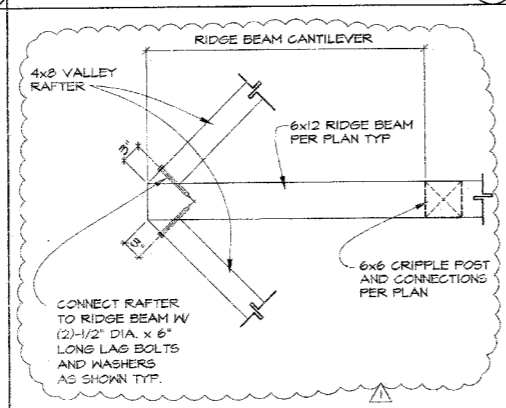
5 KNEE BRACE MIDDLE CONDITION



6 TYPICAL EAVE DETAIL



7 BREAK IN DIAPHRAGM @ RIDGE



8 VALLEY RAFTER TO CANT. BEAM

PATIO TYPICAL ROOFING NOTES

- THE MINIMUM REQUIREMENTS STATED UNDER SECTION VI "COVERING MATERIALS AND APPLICATION" ON SHEET 05 OF PLANS IS TO ESTABLISH MINIMUM STANDARDS AND ARE NOT TO SUPERSEDE THE ROOFING MANUFACTURER'S INSTALLATION REQUIREMENTS AND SPECIFICATIONS WHICH SHALL ALWAYS TAKE PRECEDENCE AS LONG AS THEY MEET OR EXCEED THE MINIMUM REQUIREMENTS.
- THE ROOFING CONTRACTOR SHALL BE RESPONSIBLE FOR PROVIDING AND INSTALLING ALL FLASHING AND COUNTER FLASHING, ALL ROOFING, ALL JUNCTURES OF ROOFING AND VERTICAL SURFACES AND ALL PENETRATIONS OF ROOFING PER ROOFING MANUFACTURER'S REQUIREMENTS AND SPECIFICATIONS.

PATIO ROOFING SPECIFICATIONS

- ROOFING TO BE "CLASS-A" BY MONIER LIGHT WEIGHT CONCRETE SHINGLES, 12, 20 OR 200SP OR EQUAL AND SHALL COMPLY WITH U.B.C. STANDARD 19-5 AND SHALL BE INSTALLED IN ACCORDANCE WITH THE MANUFACTURER'S WRITTEN INSTRUCTIONS.
- FLASHING: THE ROOF VALLEY FLASHING SHALL BE NOT LESS THAN 26 GA. GALV. CORROSION-RESISTANT METAL WHICH SHALL EXTEND A MIN. OF 11-INCHES FROM CENTER-LINE EACH WAY AND SHALL HAVE A SFLASH DIVERTER RIB NOT LESS THAN 1-INCH HIGH AT THE FLOW LINE FORMED AS PART OF THE FLASHING. FLASHING END LAP SHALL NOT BE LESS THAN 4-INCHES. METAL VALLEY FLASHING SHALL HAVE A 36-INCH WIDE UNDERLAYMENT DIRECTLY UNDER IT CONSISTING OF ONE-LAYER TYPE 30 FELT RUNNING THE FULL LENGTH OF THE VALLEY IN ADDITION TO THE UNDERLAYMENT SPECIFIED IN TABLES 15-D-1 AND 15-D-2. ROOFING CONTRACTOR SHALL BE RESPONSIBLE FOR PROVIDING 26 GAUSE GALV. CORROSION-RESISTANT METAL FLASHING AT ALL ROOF TO VERTICAL WALL INTERSECTIONS AND ALSO AROUND ANY AND ALL ROOF PENETRATIONS SUCH AS VENT PIPES AND FLUES ECT.
- INSTALLATION: UNDERPAYMENT SHALL BE ONE-LAYER OF TYPE 30 FELT SIDE LAPPED 2-INCHES AND END LAPPED 6-INCHES SO AS TO SHEED WATER OVER SOLID SHEATHING AT 4:12 AND 5:12 STEEPER ROOF PITCHES.

FRAMING NOTE:
ALL NAILING TO BE IN ACCORDANCE WITH TABLE 2304.9.1 PER 2007 C.B.C.

FRAMING NOTE:
DIAPHRAGM ATTACHING NAILS OR OTHER APPROVED SHEATHING CONNECTOR'S SHALL BE DRIVEN SO THAT THEIR HEAD OR CROWN IS FLUSH WITH THE SURFACE OF THE SHEATHING.

FRAMING NOTE:
ALL BEAMS THAT ARE 4X OR LARGER SHALL BE DOUGLAS FIR / LARCH #1.

CONSTRUCTION NOTE:
THIS NEW PATIO ROOF STRUCTURE SHALL BE TYPE IV HEAVY TIMBER CONSTRUCTION. ROOF FRAMING MEMBERS SHALL HAVE A MINIMUM DEPTH OF 5 1/2 INCHES AND A MINIMUM WIDTH OF 3 1/2 INCHES. THE REQUIRED DEPTH MAY BE REDUCED TO 2 1/2 INCHES TO ACCOMMODATE ARCHITECTURAL NOTCHING WHEN LOCATED WITHIN THE EXTERIOR 12 INCHES OF THE SPAN.

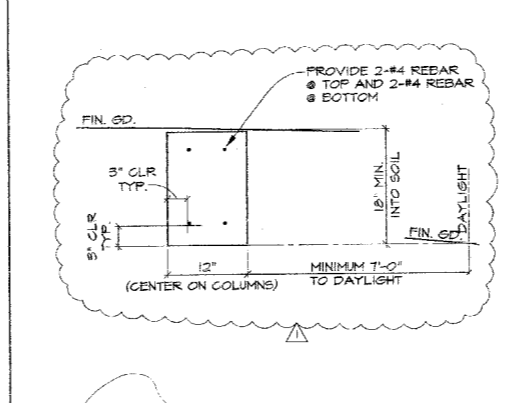
FASCIA BOARDS SHALL NOT BE PERMITTED UNLESS THEY ARE PARTIAL DEPTH AND NON-COMBUSTIBLE, OR HAVE A 2-INCH NOMINAL THICKNESS. (SDMC SEC. 145.3304)

CONCRETE SLAB BASE NOTE: (IF PROVIDED)
FOR SLAB AT LIVING SPACE AREAS PROVIDE A 2-INCH THICK LAYER OF CLEAN SAND OVER A 10-MIL. POLY-VINYLCHLORIDE MOISTURE BARRIER OVER A 2-INCH THICK LAYER OF CLEAN SAND.

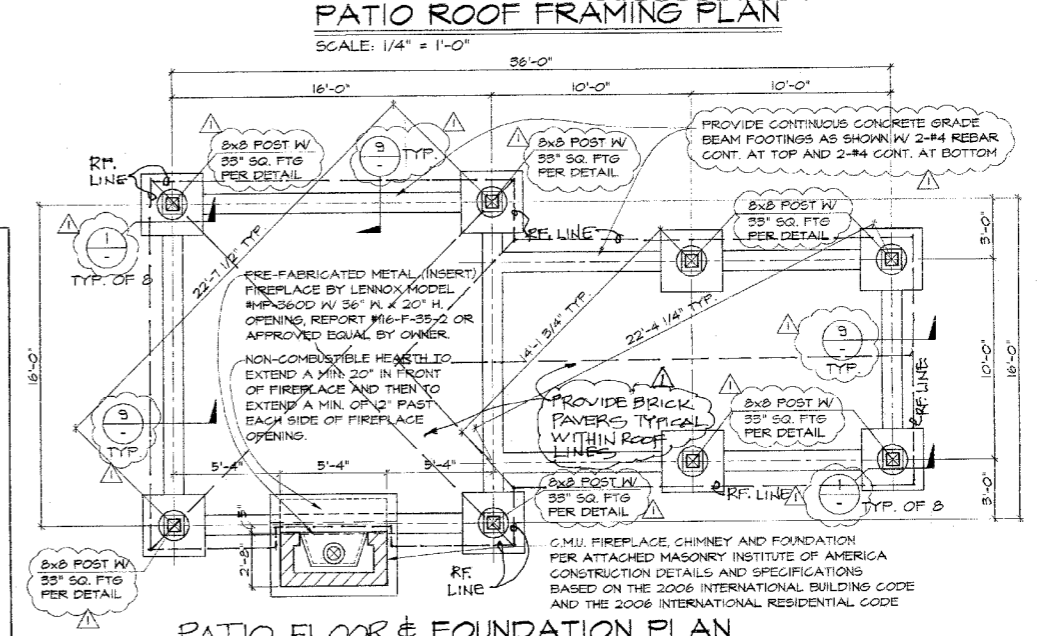
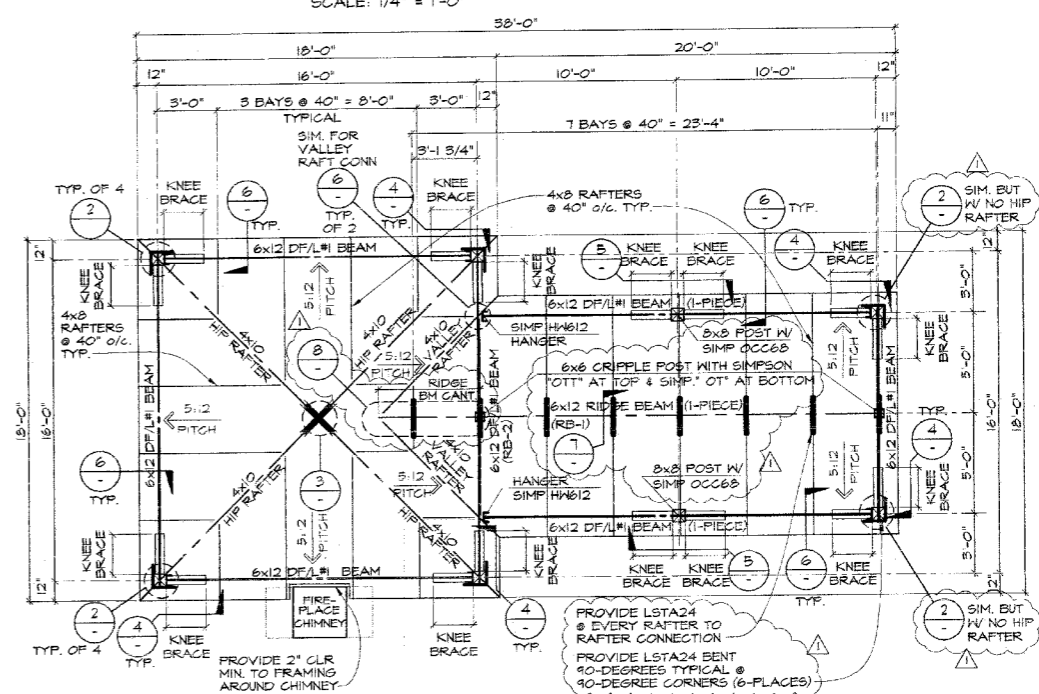
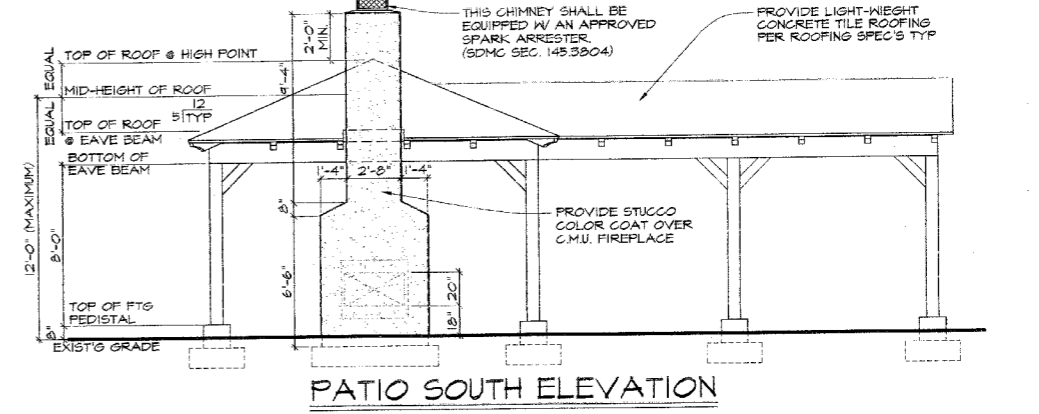
NOTE: SAND BASE SHOULD BE MOISTURE CONDITIONED PRIOR TO CONCRETE PLACEMENT.

CONCRETE SLAB NOTE: (IF PROVIDED)
CONVENTIONAL CONCRETE FLOOR SLAB (MIN. 2500 P.S.I.) SHALL HAVE A MINIMUM THICKNESS OF 4-INCHES WITH A MIN. SLAB REINFORCEMENT OF 3# REBAR (GRADE 40) AT 18-INCH ON CENTER EACH WAY SET AT MID-POINT IN SLAB THICKNESS.

CONCRETE FOOTING NOTE:
CONVENTIONAL CONCRETE FOOTINGS (MIN. 2500 P.S.I.) SHALL BE REINFORCED PER FOUNDATION PLAN AND DETAILS.



9 TYP CONCG GRADE BEAM FOOTING



PATIO FLOOR & FOUNDATION PLAN
SCALE: 1/4" = 1'-0"

REVISIONS	BLDG DEPT 1-27-2009
FOUNDATION PLAN	
ROOF FRAMING PLAN	
PATIO SOUTH ELEVATION	
DETAILS	
Date:	1-14-2009
Scale:	AS SHOWN
Drawn:	K. R. M.
Checked:	
Sheet:	2
Of 2 Sheets:	2

DAVEY RESIDENCE PATIO
 9751 EVANS PLACE, LA MESA, CA.